

# Hand Clamp Cutter

## HCC 2000 | 519



Recommended for the REMOVAL of genuine Oetiker Ear Clamps

### Benefits

- Clear vision on application
- Quick and easy ear clamp cutting
- Straight soft grip handles
- Safest method of clamp removal



---

**Compound action cutting tools:** maximum mechanical advantage for easier and safer use

---

**Specially designed:** for removing Oetiker Ear Clamps only

---



## Hand Clamp Cutter HCC 2000 | 519

### TECHNICAL DATA OVERVIEW

Model No.	HCC 2000   519
Item No.	14100519
<b>Dimensions</b>	
Length	230.6 mm
Width	68.3 mm
Height	11.7 mm
Weight	366 g
Jaw width	10.7 mm
Opening gap	11.8 mm
Max. ear width	13.0 mm
Reference jaw force	2000 N

### APPLICABLE CLAMPS

The Hand Clamp Cutter HCC 2000 | 519 will cut the below ear clamps up to the band width and thicknesses listed.

#### Stainless Steel Band (Width × Thickness)

9.0 × 0.6 mm

7.0 × 0.8 mm

#### Steel Band

9.0 × 0.8 mm

### DESCRIPTION

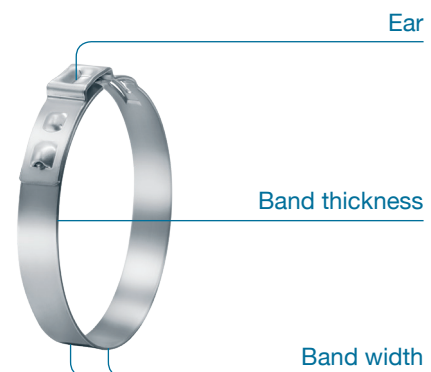
Oetiker Hand Clamp Cutters are designed to safely remove Oetiker Ear Clamps that can be closed with Oetiker HIP 2000 series Hand Installation Pincers or similar power tools. See applicable clamps section below for more details.

They are designed to deliver many cutting cycles without loss of performance, using the lowest practical cutting force. Constructed of solid metal for long tool life, with textured grips for a more secure hold.

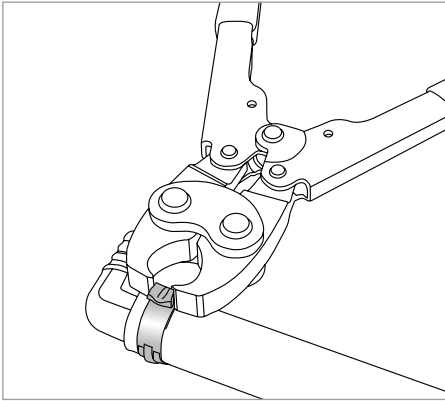
#### FOR CLAMP REMOVAL ONLY.

Orange grips distinguish Hand Clamp Cutters from the blue Hand Installation Pincers. High mechanical advantage makes clamp removal easier and reduces the risk of strain injury.

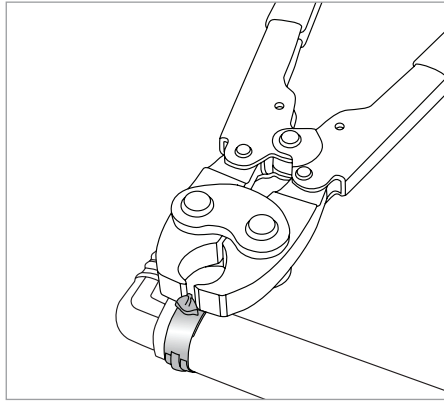
Patent pending



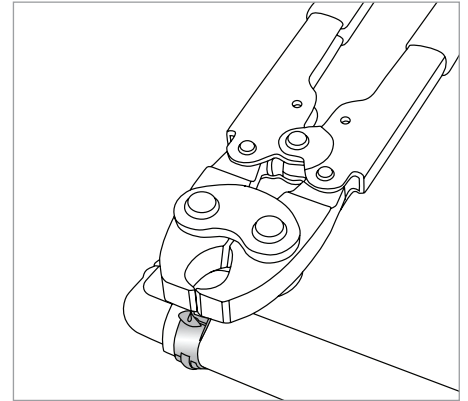
INSTRUCTION GUIDE



1. Place jaw tips on each side of clamp ear or single leg.



2. Squeeze handles.



3. Cut through the ear and remove the clamp carefully.

**CAUTION**  
**Laceration hazard and crush hazard at the pincer jaws!**  
Make sure the pincers are positioned correctly.  
Make sure there is nothing but the clamp ear between the pincer jaws.

**CAUTION**  
**Risk of injury due to ejected metal splinters!**  
Wear safety glasses!